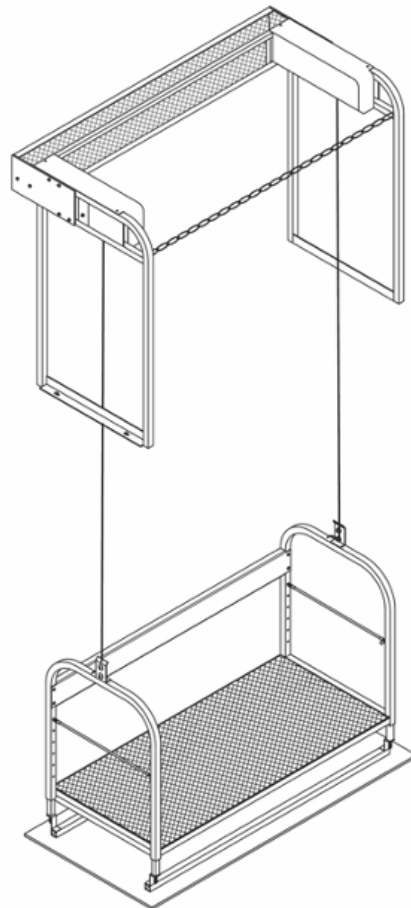




Majic Attic Lift

USER INSTRUCTIONS-OWNERS MANUAL MAJIC ATTIC LIFT



Welcome and thank you for purchasing Majic Attic Lift. We hope you will enjoy the ease of use and safety that Majic Attic Lift provides. Please thoroughly read all aspects of the user instructions when beginning to operate your Majic Attic Lift as we have included numerous safety measures for your protection. Be sure to completely read the installation instructions in order to understand all aspects of the attic lift operation before use. Stay safe and enjoy!

MAJIC ATTIC LIFT USER INSTRUCTIONS-OWNERS MANUAL

Table of Contents

Section 1: Safety Procedures	4
Section 2: Preface	5
Section 3: Product Elements	6
Section 4: Understanding User Interface	7
Section 5: How to use the Product Safely	8
Section 6: Operation/Use	10
Section 7: Maintenance	15
Section 8: Trouble Shooting & Repair	16

JUNE 2023

Version 1.3

DISCLAIMER

Majic Attic Lift is an electric home appliance. It is intended for use as a lift for static items. The weight limit cannot be exceeded. Follow the installation instructions and use the Majic Attic Lift in a responsible and safe manner.

Copyright © 2022 by Majic Stairs

All rights reserved. No part of this publication may be reproduced, distributed, or transmitted in any form or by any means, including photocopying, recording, or other electronic or mechanical methods, without the prior written permission of the publisher. For permission requests, write to the publisher, addressed

“Attention: Permissions Coordinator,” at the address below.

Majic Stairs and Majic Attic Lift

120 Cypress Road

Ocala, FL 34472

www.Majicstairsinc.com

Section 1: Safety Procedures

DANGER

- No person under 18 years of age should be allowed to operate this product.
- Children should be kept away from the lift when it is in operation.
- When not in use, remove the remote control and store it where children cannot get it.
- When not in use, always raise the basket until it's closed.
- This product can cause serious injury or death to anyone who attempts to ride, or install or operate the lift improperly.
- When working in the attic, stay on the decked areas.
- If you must enter non-decked areas, stay on the joists. The material between the joists will not support your weight and will collapse if you stand or sit on them.
- Be alert to overhead hazards such as exposed nails.
- Be aware of and avoid openings such as the ladder opening or the lift opening when you are working or moving around the attic.
- When working over the opening, cover it with a piece of plywood and be aware of the opening as a safety precaution.
- When working with power tools, follow all the manufacturers' safety guidelines and wear approved safety gear.
- Do not work alone in a hot attic if you have any health condition that could affect your balance, mobility, or cause you to lose consciousness.
- Do not work in the attic in the heat of the day as this can cause heat exhaustion. Morning hours are the coolest times to work in the attic.
- Do not operate this equipment in damp, wet, or poorly lit attic spaces.
- Do not use this equipment in the presence of flammable gases or liquids.
- Keep the work area clear of obstacles to prevent falls or injury.
- Use only grounded power outlets or extension cords.
- To reduce the risk of accident, severe injury, or death, all persons must read and understand the product instructions completely before installing this equipment.
- Do not stand under or allow anyone to stand under the lift while in operation.

Section 2: Preface

Description of the User

Majic Attic Lift users are typically home-owners utilizing the attic space for storage of personal items. The Majic Attic Lift assists in the transport of static items between the attic and the main floor, by electric motor. This home appliance can be used by any active adult able to read through and understand the instruction manual.

Do not allow children to operate the Majic Attic Lift.

Explanation of Safety Warnings

DANGER!

Danger indicates a hazard with a high level of risk which, if not avoided, will result in death or serious injury

WARNING!

Warning indicates a hazard with a medium level of risk which, if not avoided, could result in death or serious injury.

CAUTION!

Caution indicates a hazard with a low level of risk which, if not avoided, could result in minor or moderate injury.

Retaining Instructions

Keep this instruction manual in a safe place where it can be reviewed with new users before operating the Majic Attic Lift.

Obtaining Documentation and Information

Internet

The latest version of the documentation is available at the following address: <https://www.majicstairsinc.com>

Ordering Documentation

Documentation, user instructions and technical information can be ordered by calling Majic Stairs Inc. at (352) 446-6592 or by email: Sales@majicstairsinc.com

Documentation Feedback

If you are reading Majic Attic Lift product documentation on the internet, any comments can be submitted on the support website. Comments can also be sent to: sales@majicstairsinc.com
We appreciate your comments.

Product Purpose

The Majic Attic Lift is designed to assist in the transport of items to and from an elevated storage area. Moving items from a garage space to an attic space specifically.

MAJIC ATTIC LIFT USER INSTRUCTIONS-OWNERS MANUAL

Process Overview

The Majic Attic Lift, is designed to transport items between your attic storage space and the floor below. Items are safely and properly loaded onto the basket and motor is activated by wireless remote to lift or lower the load.

Once items are transported to where you need them, return the basket to the attic for safe storage.

Technical Data

MODEL	SPECIFICATIONS
MAL 24	150-POUND WEIGHT LIMIT
MAL 24	21.5" WIDTH LOADING PLATFORM
MAL 24	WIRELESS REMOTE OPERATING MODULE
MAL 24	BUILT-IN OBSTACLE DETECTION (MOTOR)

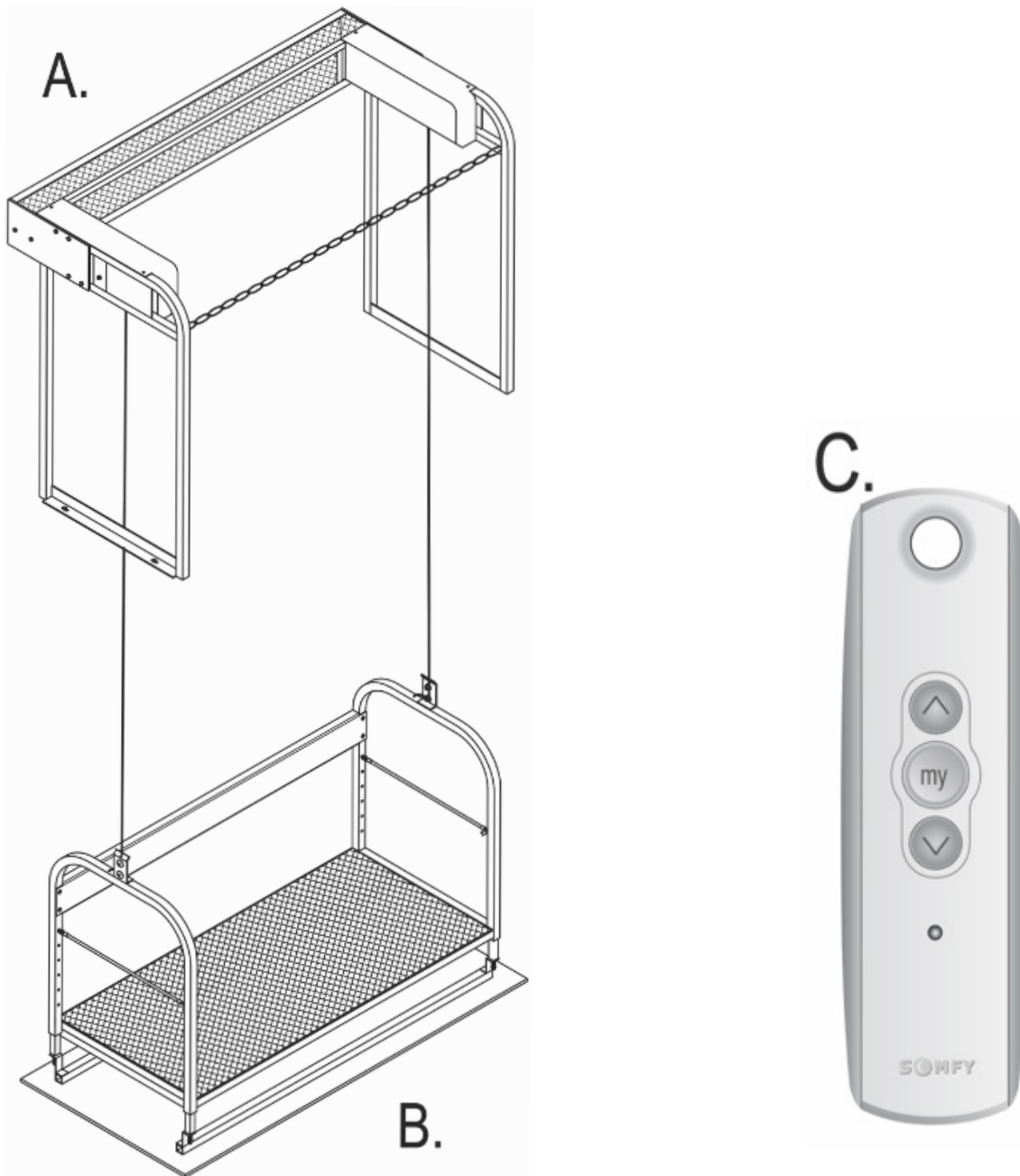
Product Compliance

This home appliance includes guards and safety features to assist in avoiding injury from the moving parts of the assembly.

- Pulley guards, red safety chain, caution strips etc. all must be included with installation.
- Sensors are included to stop unintended movement beyond the path of the lift.

Section 3: Product Elements

- A. ELEMENT A = Motor and Pulley Support arms, located in upper work station (attic).
- B. ELEMENT B = Basket and bottom door.
- C. ELEMENT C = Remote Control



Section 4: Understanding User Interface

The Majic Attic Lift is controlled by a remote with three buttons for moving or stopping the lift.

- The UP arrow will lift the basket.
- The Down arrow will lower basket.
- The “my” button will STOP the basket

Section 5: How to use the Product Safely

Safety Information for Vulnerable People- DANGER!

- To avoid accident or injury all operators of the Majic Attic Lift must first read and understand this manual.
- No person under the age of 18 years of age should be allowed to operate this product.
- Protect children and visitors by instructing them of the dangers of unauthorized use.
- Keep children and visitors away from the lift during operation.
- Do not allow children in the attic area, at any time.
- Stepping off decked areas and falling through openings could cause severe injury or death.

Safety information related to the intended use and reasonably foreseeable misuse – WARNING!

- When not in use, always raise the basket to the ceiling until it is closed.
- Unplug the power cord when the lift is not in use.
- When not in use, remove the remote control and store it where children cannot get to it.

Product limitations and restrictions -WARNING!

- **Never allow a person or child to ride on the Majic Attic Lift or the lifting platform.**
- Do not exceed the 150-pound maximum capacity of this equipment.
- Secure the items to prevent shifting of the load.
- Do not attempt to lift oversized items that are outside or larger than the lift platform in length, height, or width.
- Balancing the the load to the center of the lift platform is always required for stabilizing before lowering or lifting the Majic Attic Lift.

Installation safety information - WARNING!

- Be alert to overhead hazards such as exposed nails, beams, duct work etc. make the work area safer by clearly marking potential hazards with yellow or orange paint, tape, or warning signs.
- Remain on decked areas of the attic, the area between the joists will not support any weight added by standing or sitting on them.
- Keep the landing area of the lift clear of any obstacles.
- Do not work alone in a hot attic in the heat of the day, morning hours are the coolest times to work in the attic.

MAJIC ATTIC LIFT USER INSTRUCTIONS-OWNERS MANUAL

Safety information regarding the use - WARNING!

- Do not operate this equipment in a damp, wet, or poorly lit attic space.
- Do not use this equipment in the presence of flammable gases or liquids.
- Do not stand under or allow anyone to stand under the lift while in operation.
- Always stay clear of the lifting head, the cables, and the lifting platform when in operation, standing well back to avoid accidents, like falling objects.

Maintenance safety information - WARNING!

- Check moving parts for obstruction before use.
- Remove any loose debris, maintain a work area clear of obstacles.
- Inspect the cables before each use, place the lift in the down position and follow the cable in its entirety checking for worn or frayed spots. If any are found, cease using the lift immediately until the cables can be replaced.
- Inspect power cord and all components of the lift for any damage, worn or broken parts or loose fasteners. If found, the components must be replaced or repaired before resuming any lift operation.
- Inspect and verify the (4) white plastic corner guards are in place.

Potential Health Consequences - WARNING!

- When working in the attic, stay on the decked areas.
- Be aware and avoid the opening as a safety precaution.
- Be careful not to fall when leaning over the opening.
- The attic railing is not intended to hold the weight of a person. It is a visual clue to remain clear of the opening.

IMPORTANT: To reduce the risk of injury, or death, all persons must read and understand the product user manual completely before operating the Majic Attic Lift.

Section 6: Operation/Use

How to use the product

Operational environment

- Stage the items to be lifted into the storage area, be sure to have cleared an area in the intended storage space for unloading the items.
- Wear proper attire when operating the lift, secure loose-fitting clothes.
- Do not wear scarves, neck ties, necklaces, and jewelry that can be caught by moving parts.
- Long hair should be tied up and pinned out of harms way.
- Wear safe shoes that will not slip or slide and a style that will protect your feet.
- Keep the work area clear of obstacles to prevent falls or injury

Be alert:

1. Perform maintenance inspection of all components for frayed, worn, or damaged parts.
2. Replace or repair any damaged components before operating the lift.
3. Check for obstructions in the path of the lift.
4. Clear the area, do not stand under, or allow anyone to stand under the lift area. (The lift area is defined as the space between the opening above and the landing area below.)
5. Test the lift for smooth operation before use.
6. Check that the two bungees are not attached to the upper frame or motor before lowering. Bungees must be in place as illustrated or will cause severe damage to the Majic Attic Lift and possible severe injury.

MAJIC ATTIC LIFT USER INSTRUCTIONS-OWNERS MANUAL

Steps of Operation

1. Lower the loading basket to the lower work- station area.
2. Begin to load the items while securing them in place.
3. Do not overload the basket. (Weight Limit 150 pounds)

Staging the load for lift:

1. Always center the load on the platform.
2. Always keep the load within the confines of the lift arms and platform.
3. Do not lift if the load exceeds the width of the platform
4. Do not lift if the load is not stable
5. Do not lift objects that can roll or tip
6. Do not exceed the load limit (150 pounds)

WARNING!

The loading platform area and basket frame are to be used as the guide for defining the limits of your loads. Exceeding the limits will possibly result in the oversized object getting caught in the opening, jamming the lift, and items falling from the lift that could cause serious injury.

This manual is designed as a reference to illustrate and define safe loading rules. It is not meant to anticipate all loading situations. Review each load for possible safety risks from the **Staging the load for lift** list above. You are responsible for operating the lift and using the instructions to avoid unsafe loading of the items intended for transport.

See Illustrated Load Rules-next two pages.

Illustrated Load Rules

Figure 1 & 2 Center the load-

Always center the load on the platform.

Weight of the load is to be evenly dispersed across the platform.

Be attentive to center the weight on the platform to avoid shifting in lift operation.

Balance the load to avoid a tilt from front to back and side to side.

Figure 3 & 4 Loose items must be contained-

Any item that is not within the confines of a container may catch on the opening and cause the items to obstruct the lift from smooth movement.

Obstructions can cause the items to fall from the lift or halt operation of the lift.

All items are to be secured before lift operation.

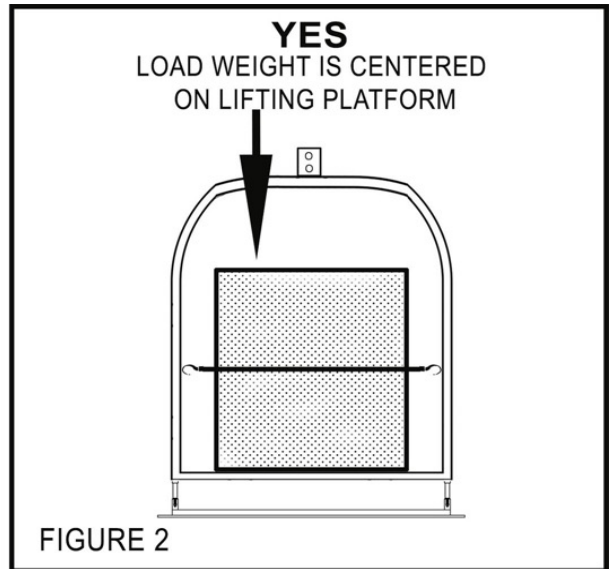
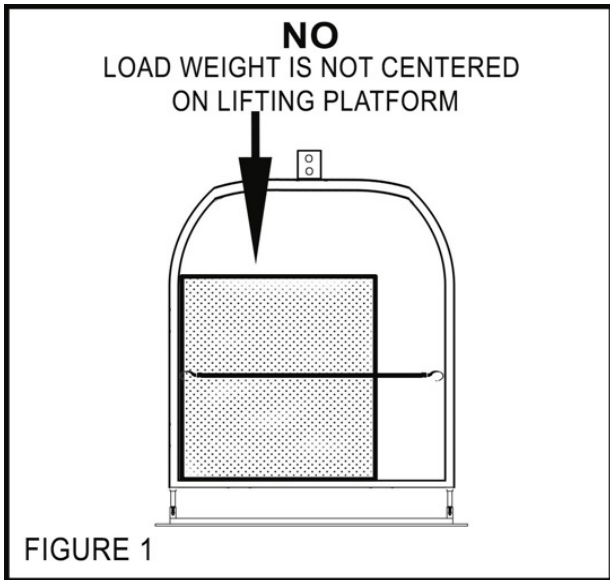
NOTE A. The height of your load is limited by the height of your attic space.

Figure 5 & 6 Box or secure unstable items-

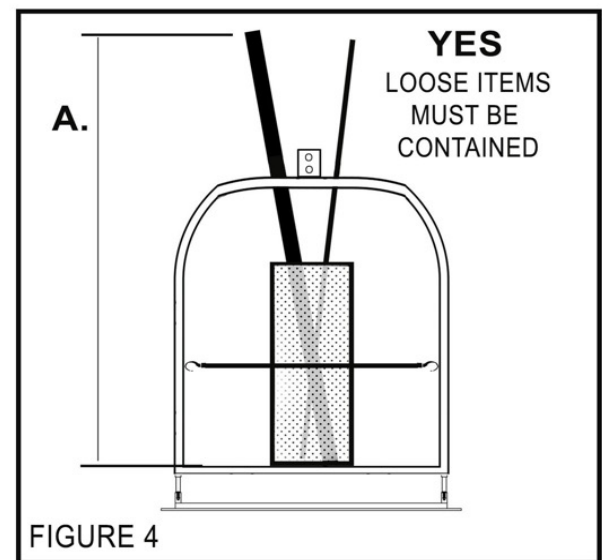
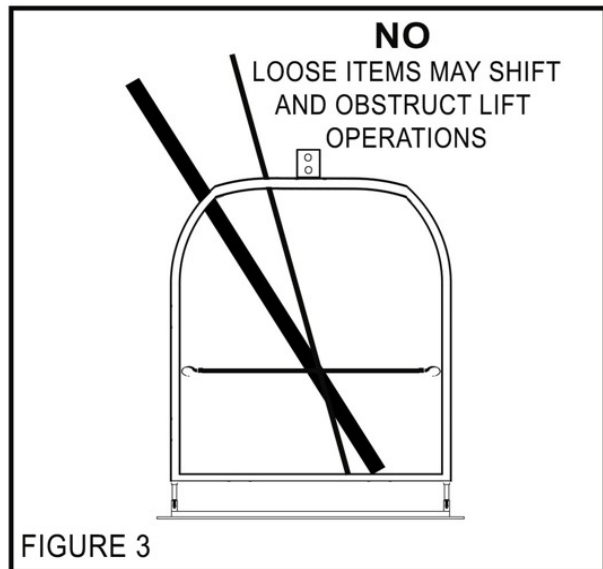
When planning to lift items that are unstable or on wheels, the items must be secured in a container to fit within the confines of the frame.

Deter any movement of the item during the lift procedure.

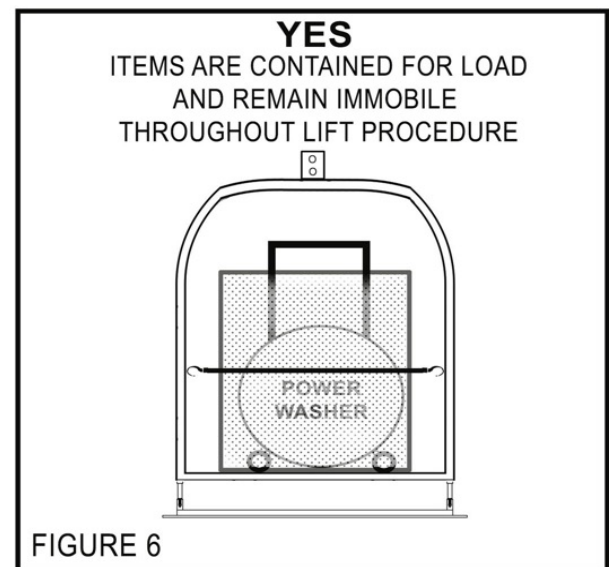
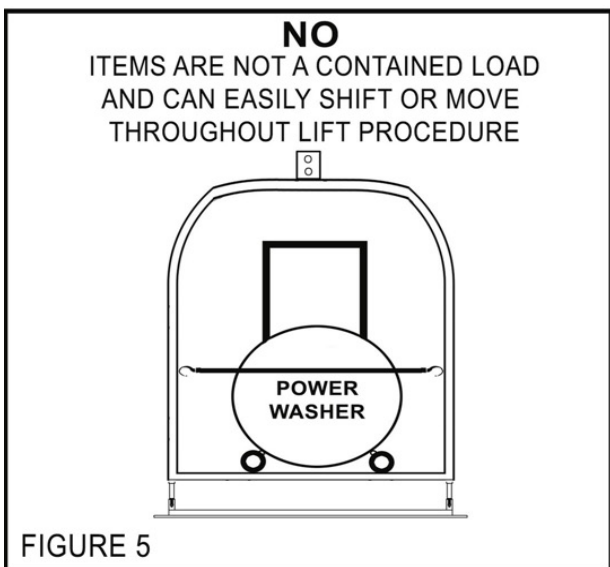
MAJIC ATTIC LIFT USER INSTRUCTIONS-OWNERS MANUAL



CENTER
THE LOAD



NO LOOSE
ITEMS
ALL ITEMS
MUST BE
CONTAINED



SECURE
ITEMS
THAT MAY
SHIFT

MAJIC ATTIC LIFT USER INSTRUCTIONS-OWNERS MANUAL

LIFT OPERATION-A

Transporting items from storage area down to access area:

1. Climb up into attic storage area.
2. Turn on the light/power switch.
3. Remove the Red Safety chain, as needed.
4. Load the items and secure for transport.
5. Replace the RED Safety chain in front of the opening.
6. Return downstairs and retrieve remote.
7. Stand clear of the lift area and press the DOWN arrow.
8. WATCH the lift area while operating the lift to be sure no one walks below the lift, until the basket comes to rest on the floor and the motor shuts off.
9. Inspect the cables for maintenance.
10. Unload the items from the platform.
11. To move items up follow "Operation B".
12. When completed follow the procedures noted for "Operation C".

LIFT OPERATION-B

Transporting items up to the storage area:

1. Follow steps from A above to bring the lift to the lower work area.
2. Load the lift securely with the items to be transported up to storage area.
3. LOOK to make sure no one is obstructing the upper frame and motor area.
4. LOOK to be sure no one or that any items are near or obstructing the lift and platform area below.
5. Stand away from the lift and press the UP arrow to raise the platform until the lift clears the opening and the motor shuts off.
6. Climb up into the attic.
7. Remove the Red Safety chain from the front of the lift basket area as needed.
8. Unload the items from the lift platform.
9. To move additional items down follow operation A.
10. To move more items up to the storage area, repeat operation B.
11. When completed follow the procedures noted for "Operation C".

LIFT OPERATION-C

Storing the lift securely and safely:

1. Follow operation B to raise the Majic Attic Lift to the attic storage area.
2. Unload items from the platform, if needed.
3. Replace the Red Safety chain to the front of the lift basket frame arms.
4. Unplug the lift after each use.
5. If wired to a switch, turn off the light/power switch to the lift.
6. Return to the downstairs work area.
7. Secure the remote in a safe place, store it where it is out of reach of children.

What to do in Emergency and Exceptional Situations

Emergency Situation

In case of an emergency situation:

If Majic Attic Lift basket is stuck in position-Immediately press the “My” button to stop the motor.

Call Majic Stairs (352) 446-6592-A.S.A.P.

Follow instructions given by representative.

Exceptional Situation

In case of an exceptional situation:

If a cable breaks

Do not go under the basket

Call Majic Stairs for assistance (352) 446-6592- A.S.A.P.

Section 7: Maintenance

NOTICE:

- Inspect the cables, power cord, motor, platform and basket arms for damage before each use.
- Checking from top of cable to bottom of cable for any signs of wear or fray of the cable components.
- Checking power cord for any damage to the protective wire coating for splits, cuts or breaks in the wiring.
- Checking the motor head and frame arms for any damage in metal fatigue, bent components, or broken pieces.
- If any are found, the damage must be repaired, or parts must be replaced before operating the Majic Attic Lift.

How to Maintain the Product

Product maintenance involves the careful inspection of all parts before each use.

Every 3 months inspect all fastener connections.

Replacing the battery in the remote

If the red light on the remote stops blinking:

1. Replace the battery-(Battery style# CR2430)
2. Remove the (3) Phillips head screws from the back of the remote.
3. Carefully detach the back cover of remote
4. Slide the CR2430 battery out and replace with a new battery.
5. Follow local codes to dispose of old batteries.

Section 8: Trouble Shooting & Repair

How to Identify and Solve Problems

Troubleshooting and Repair

WARNING: Home electrical repair may require a professional electrician. Do not attempt to replace electrical components with the Majic Attic Lift connected to a power source.

Unplug the unit with each step of trouble shooting. Re-connect to power source as steps are completed.

NOTE-The Majic Attic Lift motor is housed in an enclosed tube.

Repeated use up and down will cause the motor to stop. This is a safety measure to prevent damage to the motor. For every minute of use, allow 2 minutes for the motor to rest

Error	Cause	Solution
MAL does not start	A. Electrical outlet B. Check Remote Battery C. Motor has overheated	A. Check outlet breaker, replace as needed. B. Replace battery as needed, see instructions (pg. 15) C. Allow unit to cool for 10-15 minutes
Basket does not close completely	Cable stretch	With the basket raised until it stops on its own, press AND hold the "Up" and "Down" arrow buttons simultaneously until the basket jogs. Using the "Up" arrow bump the basket until the door "just" closes. Hold the "My" button until the basket jogs.
Basket does not land on floor		With the basket lowered until it stops on its own, press AND hold the "Up" and "Down" simultaneously until the basket jogs. Using the "Down" button, lower the basket until it "just" touches the floor. Hold the "My" button until the basket jogs.

MAJIC ATTIC LIFT USER INSTRUCTIONS-OWNERS MANUAL

Error	Cause	Solution
Basket closes, then drops down approximately 1 foot	A. Obstruction B. Top stop not set correctly	A. Check load, clear obstructions. B. With the basket at the top most position, press and hold "Up" and "down" arrow buttons simultaneously until basket jogs. Using the "Up" button raise the basket until door "just" closes. (Any additional pressure will cause the door to sense an obstacle and open). C. Press AND hold the "My" button until the motor jogs.
Basket gets jammed/stuck in opening		See page 15 Call Majic Stairs A.S.A.P. (352) 446-6592
Basket is jammed or stuck		A. Immediately press the "My" button to stop the motor. Do not allow motor to unwind the cable as serious damage to the lift or injury can occur. B. Press the "Up" button until the motor stops winding the cable back up to the motor assembly. Call your dealer or Majic Stairs right away. (352) 446-6592 Majic Stairs

Any questions call Ron 352-255-1390 or Steve 352-266-7200

Thank you for reviewing the Majic Attic Lift manual for operating the appliance.
We hope you will enjoy the ease of use in operating your lift.

Majic Attic Lift can be partnered with our premium Majic Attic Stairs for the ultimate combined storage space access, local dealers and more information can be found on our website-
www.Majicstairsinc.com



For the latest Majic Stairs and Majic Attic Lift products and more information about us, visit our website at www.majicstairsinc.com.

To contact us, call us at (352) 446-6592 or send an email to majicstairs@gmail.com.

Scan the QR code below to be taken directly to our website!

